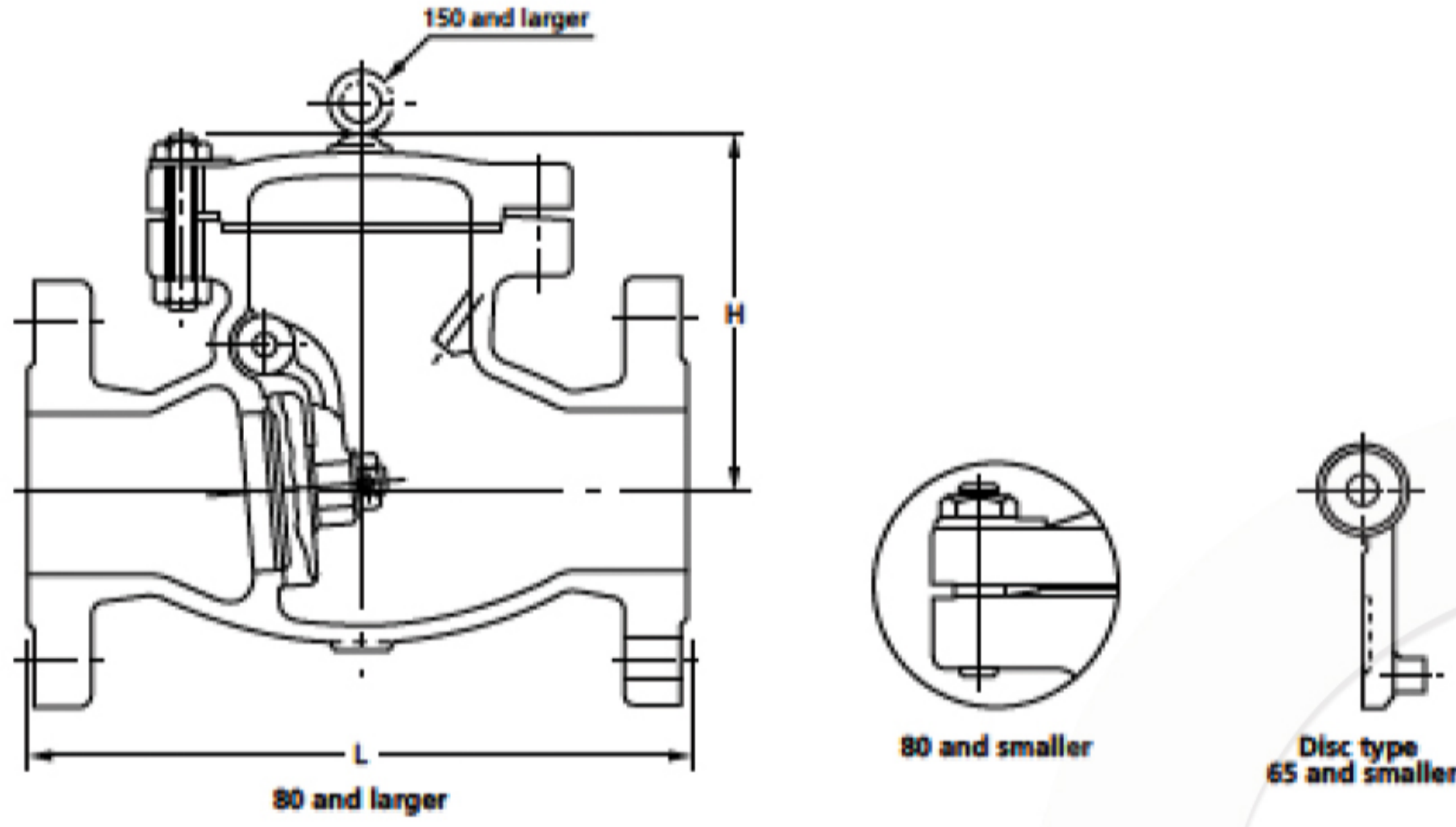


20K

SWING CHECK VALVE

Pressure-Temperature Rating: JIS B2220

20UOA



Materials

Parts	20UOA	20UOAM
Body	SCS13A	SCS14A
Cover	SCS13A	SCS14A
Disc	SCS13A	SCS14A
Gasket	Refer to Page 10	
Disc nut*	SUS304	SUS316L
Hinge pin	SUS304	SUS316
Plug	SUS304	SUS316
Arm*	SCS13A	SCS14A
Washer*	SUS316, SUS316L (3 to 6)	
Cover bolt/nut	SUS304/304	
Split pin	SUS316L	
Name plate	A1050P	

\*Size 80 and larger  
Note: Body seats and/or disc seats can be optionally hard-faced.

Items	
Face to face dimensions	ASME B16.10 Class 300
End flange dimensions	JIS B2220 20K
Wall thickness	ASME B16.34 Class 300

Nominal Size	1½	2	2½	3	4	5	6	8	10	12	16	18	
		40	50	65	80	100	125	150	200	250	300	400	450
L	in.	9.49	10.5	11.5	12.5	14.0	15.8	17.5	21.0	24.5	28.0	33.00	38.50
	mm	241	267	292	318	356	400	444	533	622	711	838	978
H	in.	4.76	5.63	6.42	7.01	7.91	9.09	10.2	11.5	14.0	14.7	17.20	23.03
	mm	121	143	163	178	201	231	259	292	356	373	437	585